

COMMON MODE CHOKE → HXS TYPE

FEATURES

1. High impedance for common mode noise and low impedance for differential mode signal.
2. Large rated current available.
3. Wide band or sharp type impedance cure available.
4. SMD or DIP available.



APPLICATIONS

Prevention of common mode noise on signal Lines and power lines for computer related or electronic products.

ORDERING CODE

HJ X S A 12 08 - 01

(1) (2) (3) (4) (5) (6) (7)

- (1) MATERIAL CODE
- (2) CORE TYPE
- (3) S : SMD , C : CAPPED SMD , D : DIP
- (4) ROHS CODE
- (5) MAX BASE DIMENSION(mm)
- (6) MAX HEIGHT(ABOVE PCB IN mm)
- (7) DESIGN CODE

APPEARANCE & DIMENSIONS

UNIT:mm

SIZE CODE	SHAPE		
XS 1208-01 Series	<p>TOP VIEW</p>	<p>SIDE VIEW</p>	<p>BOTTOM VIEW</p>
XS 1208-02 ,03 Series	<p>TOP VIEW</p>	<p>SIDE VIEW</p>	<p>BOTTOM VIEW</p>



HaoHuaKe Technology Co., Ltd. Tel:0755-2101 7581 QQ: 2606 3546 22
302, factory building No.1, fangmapu Xinfang street, Guihua community, Longhua District, Shenzhen, China

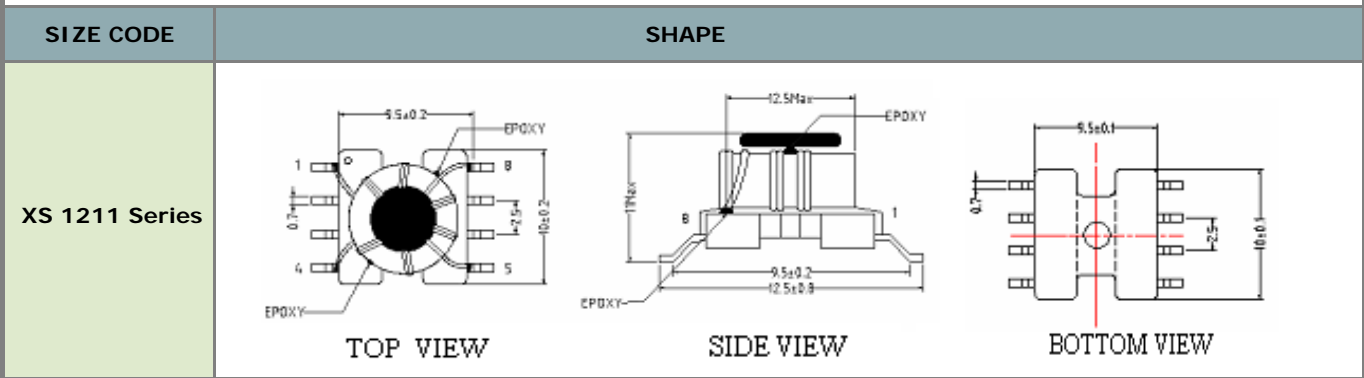
E-mail: hhk_shenzhen@126.com

Web Site:
<http://www.haohuake.cn>

COMMON MODE CHOKE → HXS TYPE

APPEARANCE & DIMENSIONS

UNIT:mm



ELECTRICAL CHARACTERISTICS

ORDERING CODE	BASE	WINDING	WIRING	Z (Average) (Ω)	RATED CURRENT (mA)	RDC (Ω)max
HDXSA1208-01	SMD-8P(12.5mm)	φ0.35*12.5TS*2	1-8,4-5	364min / 100MHz	3500	0.050
HIXSA1208-01	SMD-8P(12.5mm)	φ0.35*12.5TS*2	1-8,4-5	453±25% / 100MHz	2500	0.050
HJXSA1208-01	SMD-8P(12.5mm)	φ0.35*12.5TS*2	1-8,4-5	434±25% / 100MHz	4500	0.050
HAXSA1208-02	SMD-8P(12.5mm)	φ0.35*18TS*2	1-8,4-5	1492 min / 1MHz	2500	0.080
HAXSA1208-03	SMD-8P(12.5mm)	φ0.3*21TS*2	1-8,4-5	1567min/250KHz	2000	0.091
HIXSA1211-01	SMD-8P(12.5mm)	φ0.45*6.5TS*2	1-8,4-5	500±25% / 100MHz	3000	0.100

